

COMBOLIFE™ 65

RETURNABLE AND FOLDABLE IBCS
FOR FLUID HANDLING

65 STANDARD
65BD BOTTOM DISCHARGE

809 X 609 X 833 MM, 250 L



The highly efficient ComboLife 65 bag-in-box solution goes furthest in the distribution chain

A compact, collapsible IBC designed to handle a wide variety of fluid products. It combines the benefits of a rigid return container system with the simplicity of disposable products.

Advantages over traditional single trip systems:

- **Substantially reduced cost per trip**
- **Limited use of packaging materials (only the liner bag is disposable)**
- **Hygiene – nor corrosion neither rot**
- **Safety – both fully protection of fluid and trackability**
- **Easy to fill, discharge and transport**
- **Space utilization – stackable and foldable**

Bottom line benefits

The high performance of this bag-in-box system translates directly into bottom line benefits. Not only saving money and time on transport, handling and storage also indirect savings are achieved: the system's excellent design guarantees its long lifetime and safe delivery of the filled product.

Do more with less

The connection between financial and environmentally friendly logistical solutions is getting stronger all the time. ComboLife 65 and 65BD deliver a practical cost effective distribution system along with superior resource efficiency. With a standardized size and extremely low weight, the container can be used directly in most plants without any additional investment. This all plastic container is ideal when labor environment is top priority.

Giving the best of both worlds, these all-plastic returnable systems are rapidly becoming the new industry standard.



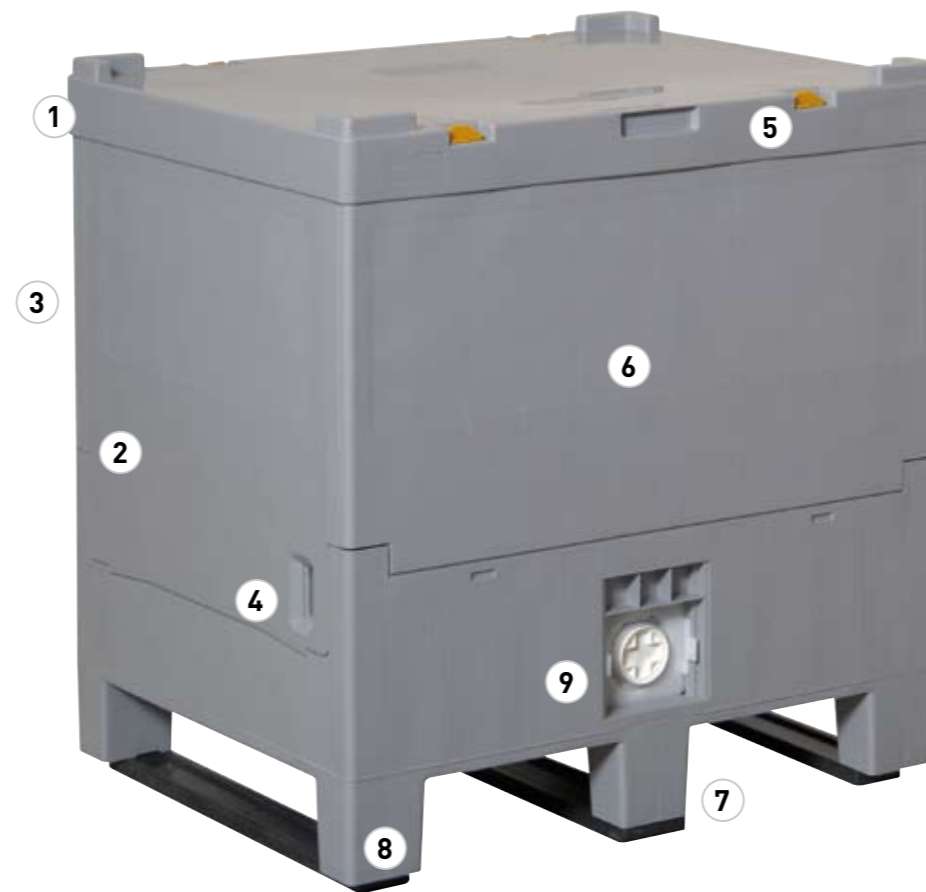
The ComboLife 65 is a compact, collapsible IBC designed to handle a wide variety of fluid products.

Schoeller Arca Systems

Creative solutions for better returns

Practicality rules!

In designing this IBC, the operators' concerns have been top of mind. Simple handling is a basic principle, steering product development decisions and leading to the creation of this truly ergonomic, user-friendly system. The ComboLife 65 is light-weight. Easy to handle by only one operator. Moreover, it is easy to keep clean and simple to maintain compared to traditional systems.



1 STACK INTERLOCKING
The self-draining lid has stacking ridges that interlock with the base of the next container, ensuring stability.



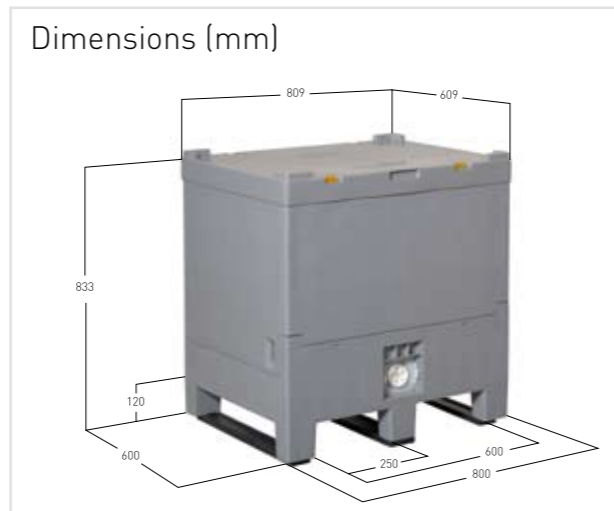
2 SMOOTH CLEAN SURFACE WITH LABEL AREAS
Smooth surfaces and rounded corners ensure the highest standards of hygiene and safe handling. Special areas are provided for label attachment.



3 OVERLAPPING SURFACE
The walls and base overlap to protect the liner and to keep inside of the container clean.



4 SIGHT GLASS
A sight glass is provided for quick inventory of fluid content level.



Alternative model
The ComboLife 65 standard version has no bottom discharge opening.



5 TAMPER EVIDENCE LOCKING DEVICE
The (4x) locking device is a strong and durable all plastic design. It is simply operated to open or close through a slide motion. To secure the locking a seal ensures the tamper evidence.



6 SMOOTH SURFACE
The inside walls have a smooth finish and design for maximum hygiene and ease of cleaning. Rinse water can drain away through a small hole in the bottom.



7 SMOOTH AND HYGIENIC BASE SURFACE
Smooth surface and rounded feet and runners on the IBC's makes it dirt-repelling.



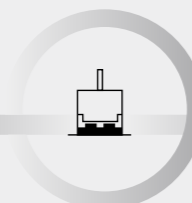
8 IMPACT RESISTANT FEET
The feet have inserts of thermoplastic elastomers to prevent damages during tough fork lift operations.



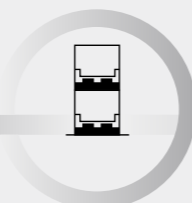
9 DISCHARGE OPENING
The opening is positioned below the inside bottom level to ensure maximum discharge performance without manual assistance. A range of glands and valves are available to fit the outlet. A tamper evident cap is used to cover the outlet.



SETTING UP
One person can easily prepare a ComboLife 65 for use. The walls are raised and locked in place by hand. The liner bag is then positioned inside the IBC with the discharge valve clip-locked in place.



FILLING
ComboLife 65 is designed for ease of use and compatibility with existing filling systems.



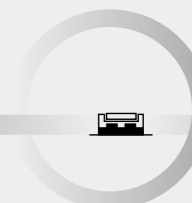
STACKING AND STORING
These strong and stable IBCs can be stacked 5 high. They are weather proof and can be left outdoors for long periods.



TRANSPORT AND DELIVERY
The containers' compact design maximises space and payload in all modes of transport. Their low weight compared to most other distribution units means lower transport costs.



DISCHARGING
Discharging product from the flexible ComboLife 65 liner bag is easy as it expands when filled and contracts when emptied. The bag contains no air so there is no risk of oxidation or skinning.



FOLDING AND RETURNING
Once the liner bag is removed, one operator can unlock the side walls and fold them down again. Since the collapsed volume of empty IBC's is reduced significantly, they require little space in storage and deliver substantial cost savings on return freight.



LINER BAG

A wide range of liner bags is available for CL 65BD. The liner is built up by a number of film layers and seam welded together. Each layer of a selected material to provide desired performance. To fill and discharge, in- and outlet glands or valves are available in various dimensions and designs.



CONNECTORS

Item No. 4458.350.900
2" camlock M / 2" BSP
Item No 4458.300.900
2" camlock / 2" hosetail
Various connectors are available. The connectors are attached to a filling or discharge hose with the hose either connected to the filling gland or the discharge valve.



FILLING BRIDGE

Item No. 4461.600.000
Filling bridge 65 BD 2" Sq
Item No. 4461.601.000
Filling bridge 65BD 2" Hex.
The filling gland on the liner bag is connected to a filling bridge for easy filling.



TAMPER EVIDENT SEAL CL 65

Item No. 4428.011.232
TE Seal CL 65
The tamper evident seal is used to secure the four locking handles on the lid.



TAMPER EVIDENT CAP CL 65

Item No. 4457.000.232
TE cap CL 65
The tamper evident cap protect the discharge area and the liner bag during transportation and storage.



EXTERNAL VALVE

Item No. 4458.100.502
Flexi valve 2" camlock
Item No. 4458.110.502
Flexi valve S60 x 6
Item No. 4458.200.502 Cutter.
The external valve is made from food grade plastic.



DISCHARGE GLAND OF LINER BAG

To discharge a liner bag equipped with a gland, a membrane needs first to be cut. This is done with a cutter when an external valve is attached to the gland.



ELBOW SPOUT

Item No. 4458.500.102
Elbow spout 45° S60 x 6

| | |
|---------------------------------------|---------------------------------------------------------------------|
| Item No. COMBOLIFE™ CL 65 | 4430.010.502 |
| Item No. COMBOLIFE™ CL 65BD | 4430.020.502 |
| Outside dim. incl. lid (mm) | 809 x 609 x 833 |
| Outside dim. excl. lid (mm) | 800 x 600 x 810 |
| Folded height (mm) | 403 |
| Inside dim. (mm) | 740 x 540 x 660 |
| Height stacked (mm) | 2 high: 1646, 3 high: 2459, 4 high: 3272, 5 high: 4085 |
| Height folded (mm) | 2 high: 786, 3 high: 1169, 4 high: 1552, 5 high: 1935, 6 high: 2318 |
| Projected foot area (m ²) | 0,5 |
| Tare weight (kg) | 20 |
| Volume | Internal: 264 l, External: 0,41 m ³ |
| Recommended volume | 250 l |
| Approximate return ratio | 2,1 |
| Functional temp | -20°C to +40°C |



SCHOELLER ARCA SYSTEMS SERVICES B.V.
P.O. Box 176, 7770 AD Hardenberg, The Netherlands
Tel +31 523 28 89 00, Fax +31 523 28 85 66
info.hardenberg@schoellerarca.com
www.schoellerarcasystems.com

Schoeller Arca Systems

Creative solutions for better returns